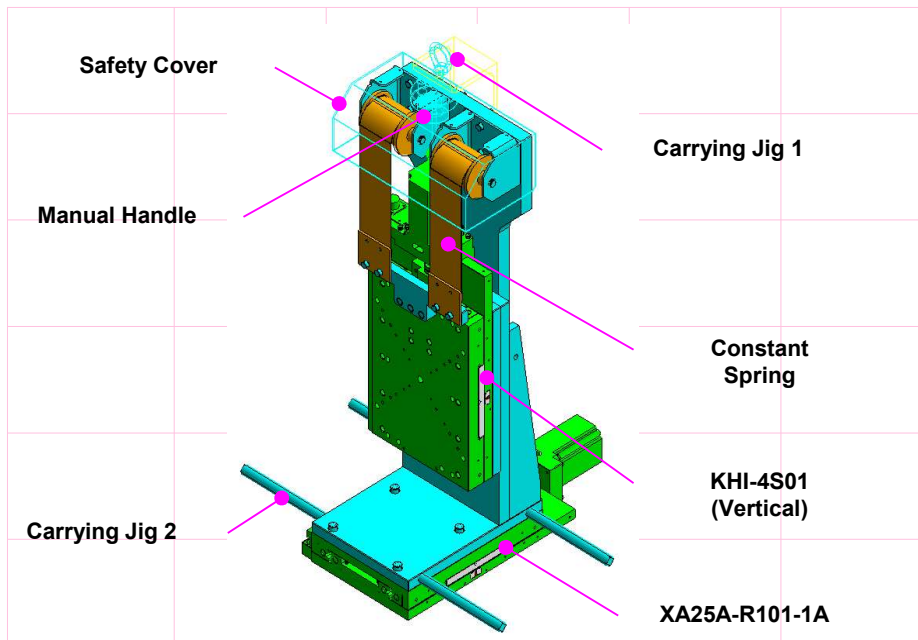




# High-Load XZ Stage <KHI-4SK01>

This KHI-4SK is consists of the Z stage as KHI-4S and X stage. It can translate to a position precisely while carrying a very heavy duty goniometer on it.



## Specifications

Model	KHI-4SK01
Stroke	±50 mm
Accuracy	20 μm
Screw	Ground Screw
Resolution (half-step)	1 μm
Repeatability	3 μm
Load Capacity	50 kg
Dimension (mm)	443.5 x 198 x 660 (length x width x height)
Self Weight	42 kg

## Features

- ◆ The high-load capacity is supported by two of 15 kg forced constant springs.
- ◆ The slim dimension makes easy installation.
- ◆ The mechanical limit switch installed is better for radiation.
- ◆ With 1 mm reading scale.
- ◆ The rigidity is achieved by the steel welded support.
- ◆ With the safety cover.
- ◆ It is consisted of 2 reliable Kohzu's standard stages.
- ◆ The carrying jig makes easy handling of transportation itself.
- ◆ Table size : 250 x 180 mm
- ◆ The XZ orthogonality is within 20μm/100mm